



Solar photovoltaic module Honeywell-P72W

Honeywell Solar provides you modules with superior durability and best performance. Applicable for all purposes: from residential and commercial up to large power plants. Suitable for all types of environment.

Leading production technology and seamless monitoring of the production process and materials ensures durability of the Honeywell Solar module. We will give you the best returns on your investment.



Honeywell
www.honeywell-solar.com



ELECTRICAL CHARACTERISTICS

Maximum Power at STC (Pmpp)	320	325	330
Open Circuit Voltage (Voc)	46.17	46.25	46.33
Maximum Power Voltage (Vmpp)	37.05	37.30	37.55
Short Circuit Current (Isc)	8.99	9.01	9.03
Maximum Power Current (Imp)	8.66	8.73	8.80
Module Efficiency (%)	16.49	16.75	17.01
Power Tolerance (W)		0 / +5	
Operating Temperature	-40°C to +85°C		
Maximum System Voltage	1000V / optional 1500V (ELT)		
Maximum Series Fuse Rating	15A		
Measurements under Standard Test Conditions (STC) irradiance 1000W/m ² , AM1.5G spectrum and cell temperature 25°C			

MECHANICAL CHARACTERISTICS

Cell Type	72 Poly-crystalline cells, 156.75x156.75mm
Module Dimension	1956 x 992 x 40 mm
Module Weight	22.5 kg
Glass	3.2 mm, low iron tempered solar glass
Frame	Anodized aluminium alloy Type 6063 T5
Junction Box	IP68, IEC certified
Cable	4.0 mm ² / 12 AWG, 1100 mm
Connectors	MC4 compatible

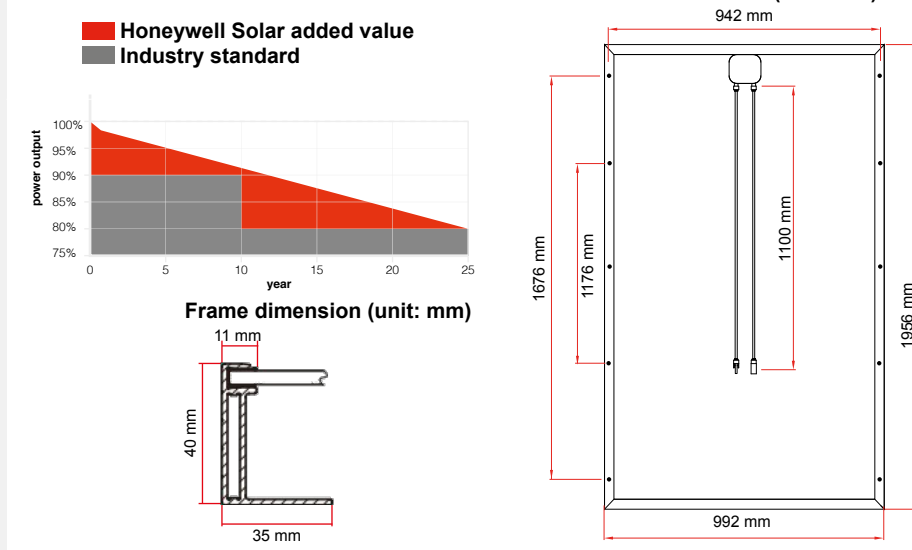
THERMAL CHARACTERISTICS

Nominal Operating Temperature NOCT	45 ± 2°C
Temperature Coefficient of Isc	+0.06 %/°C
Temperature Coefficient of Voc	-0.31 %/°C
Temperature Coefficient Pmax	-0.40 %/°C

PACKAGING INSTRUCTIONS

Number of modules per box / pallet	26
Number of modules / 40' Container	624

LINEAR PERFORMANCE WARRANTY



WARRANTY

12 years Product warranty

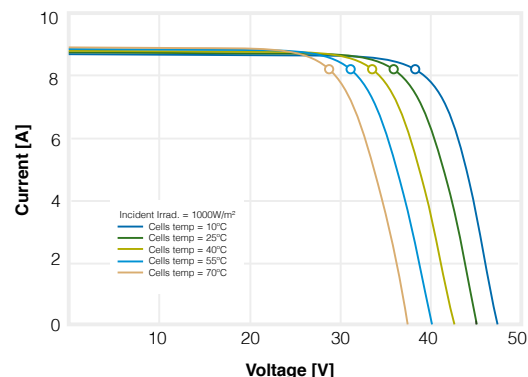
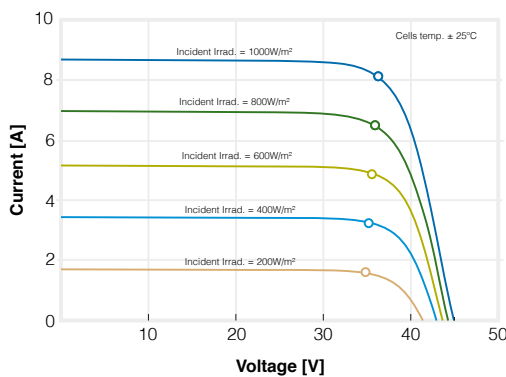
25 years Linear power output

PRODUCT OVERVIEW

- PID resistant**
- Excellent module efficiency**
- Positive power tolerance**
- 100% electroluminescence**
- Salt spray resistant** for maritime environment
- Ammonia resistant** for agricultural environment
- IP68 junction box** for long time endurance
- Light weight** easy to install
- Excellent low-light response**
- Snow load** 5400 pa
- Wind load** 2400 pa

IEC 61215
IEC 61730
IEC 61701
IEC 62716
IEC 62804

ISO 9001:2008
ISO 14001:2007
OHSAS 18001:2007



DISCLAIMER:

Honeywell Solar reserves the right to make any adjustments to the information described in this datasheet. Specifications do not refer to a single model, and are subject to change without prior notice due to continuous improvement, research and product development.

The Honeywell Trademark is used under license from Honeywell International Inc. This product is manufactured by Global Solar Trading in China.

